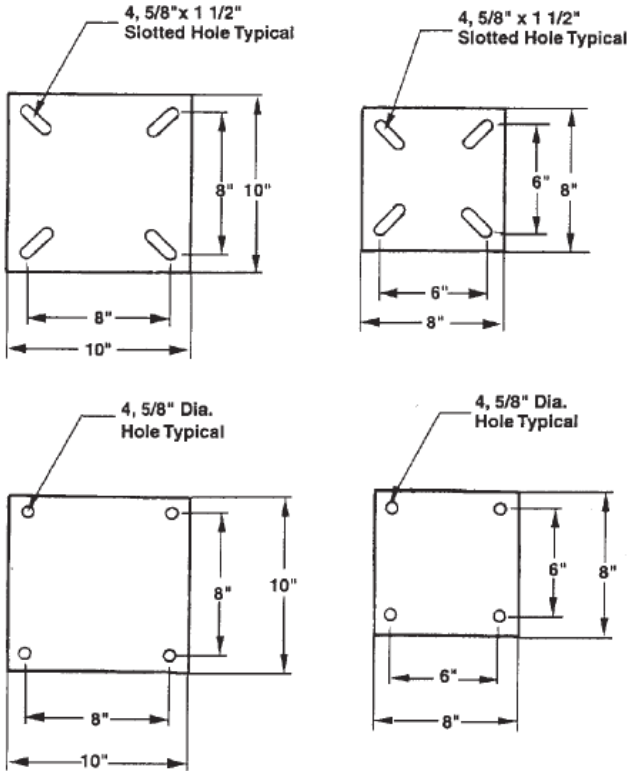


# VEC Fabrication Instrument Stand Catalog

## Standard Base Plates



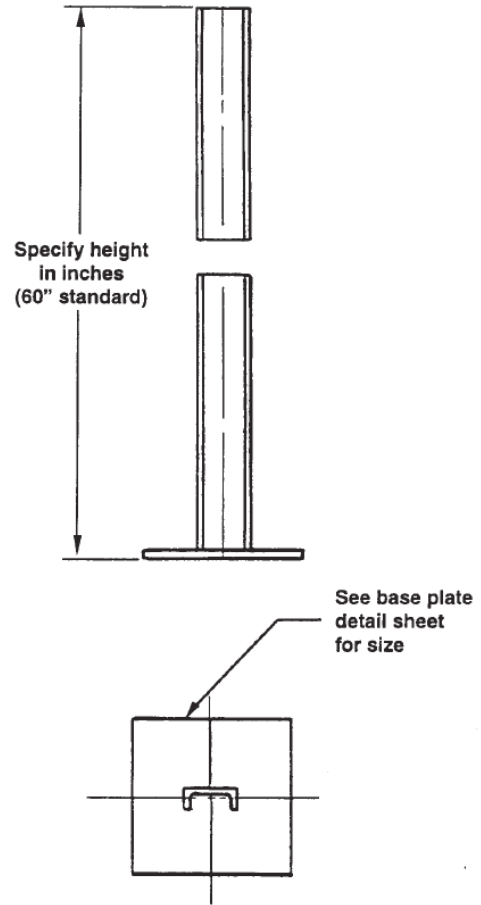
### Specifications

- Standard sizes are 10"x10" and 8"x8" square.
- Standard thicknesses are .25", .375", and .5".
- Other sizes and thicknesses available upon request.

Material: Carbon steel is standard, aluminum and stainless materials are available upon request.

Coating: Hot dipped galvanizing is our standard coating.

## Single Channel Stand



### Specifications

- Standard channel size is C4x5.4.
- Base plate comes in a variety of thicknesses and sizes (see base plate detail sheet for specifications).
- Standard weight for 60" stand is 37 lbs.

Material: Carbon steel is standard, aluminum and stainless materials are available upon request.

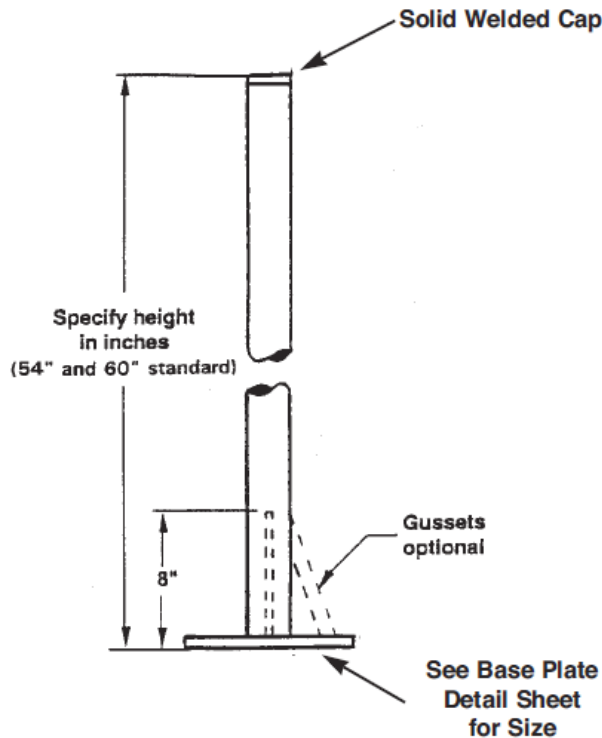
Coating: Hot dipped galvanizing is our standard coating.

### Part #

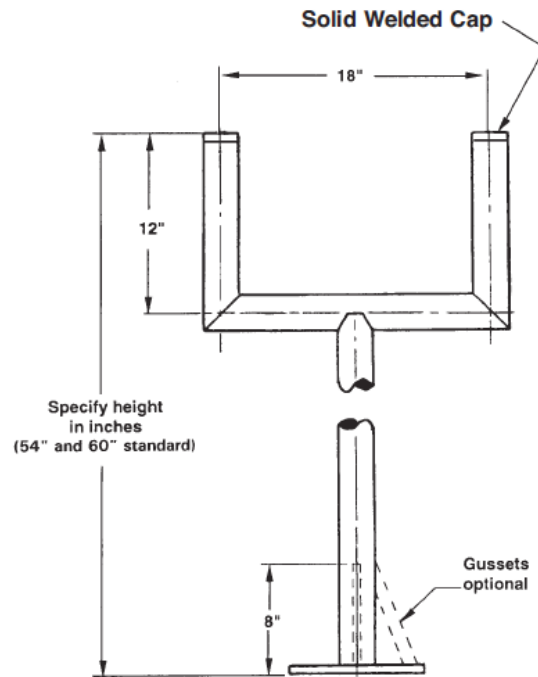
- 54" Tall – VEC-CS-54
- 60" Tall – VEC-CS-60

# VEC Fabrication Instrument Stand Catalog

## Single Pipe Stand



## Double Pipe Stand



### Specifications

- Standard pipe size is 2" sch.40
- Base plate comes in a variety of thicknesses and sizes (see base plate detail sheet for specifications).
- Standard weight for 60" stand is 27.5 lbs.

Material: Carbon steel is standard, aluminum and stainless materials are available upon request.

Coating: Hot dipped galvanizing is our standard coating.

### Part #

- 54" Tall – VEC-PS-54-1
- 60" Tall – VEC-PS-60-1

### Specifications

- Standard pipe size is 2" sch.40
- Base plate comes in a variety of thicknesses and sizes (see base plate detail sheet for specifications).
- Standard weight for 60" stand is 35.5 lbs.

Material: Carbon steel is standard, aluminum and stainless materials are available upon request.

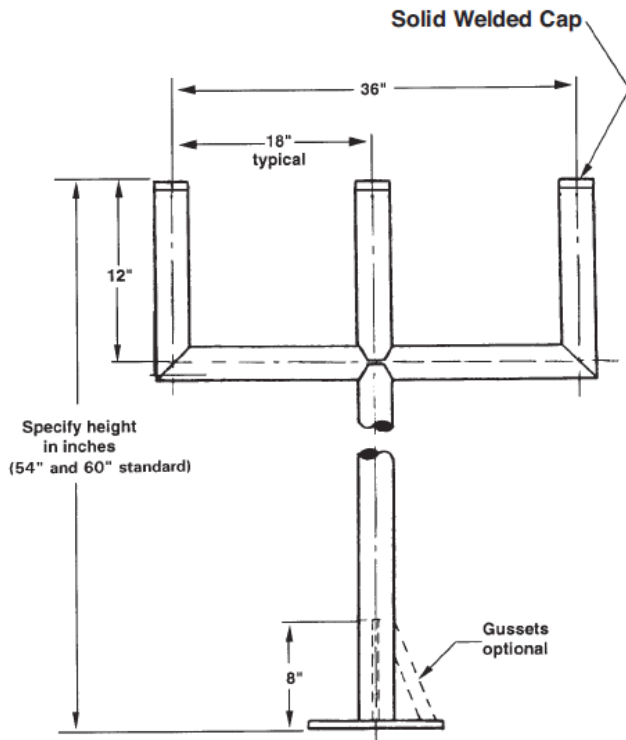
Coating: Hot dipped galvanizing is our standard coating.

### Part #

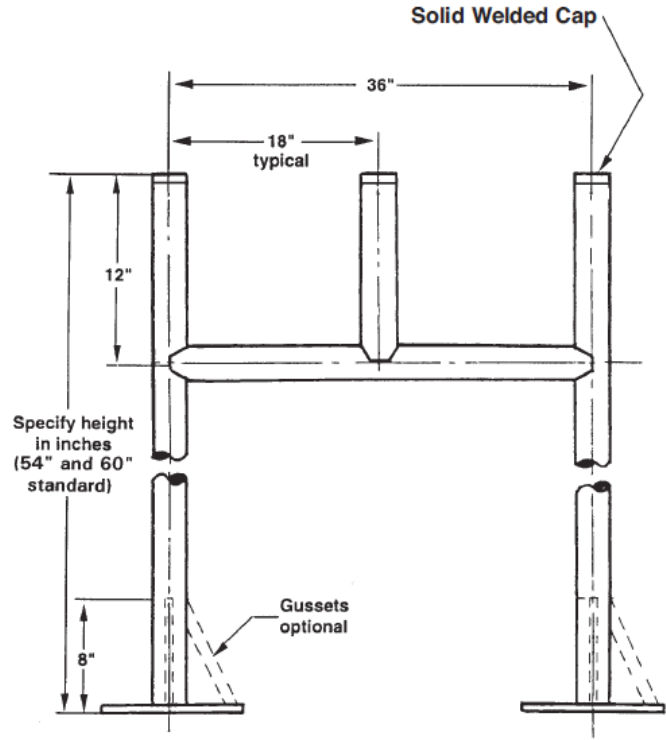
- 54" Tall – VEC-PS-54-2
- 60" Tall – VEC-PS-60-2

# VEC Fabrication Instrument Stand Catalog

## Triple Pipe Stand



## Triple Multi-Rack Pipe Stand



### Specifications

- Standard pipe size is 2" sch.40
- Base plate comes in a variety of thicknesses and sizes (see base plate detail sheet for specifications).
- Standard weight for 60" stand is 45.5 lbs.

Material: Carbon steel is standard, aluminum and stainless materials are available upon request.

Coating: Hot dipped galvanizing is our standard coating.

### Part #

- 54" Tall – VEC-PS-54-3
- 60" Tall – VEC-PS-60-3

### Specifications

- Standard pipe size is 2" sch.40
- Base plate comes in a variety of thicknesses and sizes (see base plate detail sheet for specifications).
- Standard weight for 60" stand is 66 lbs.

Material: Carbon steel is standard, aluminum and stainless materials are available upon request.

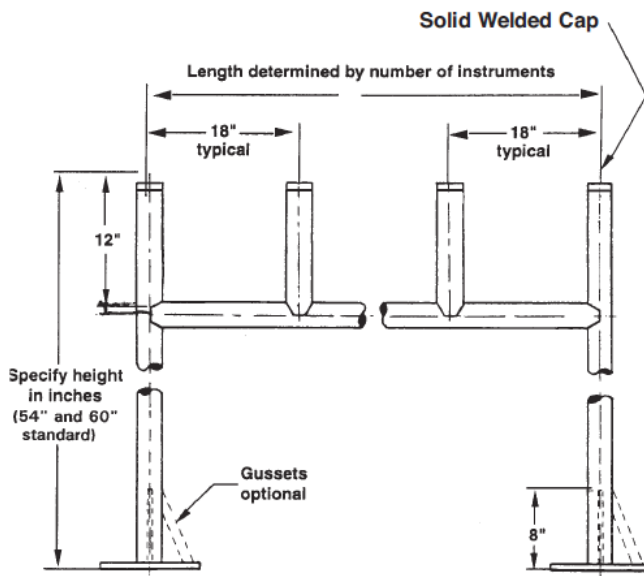
Coating: Hot dipped galvanizing is our standard coating.

### Part #

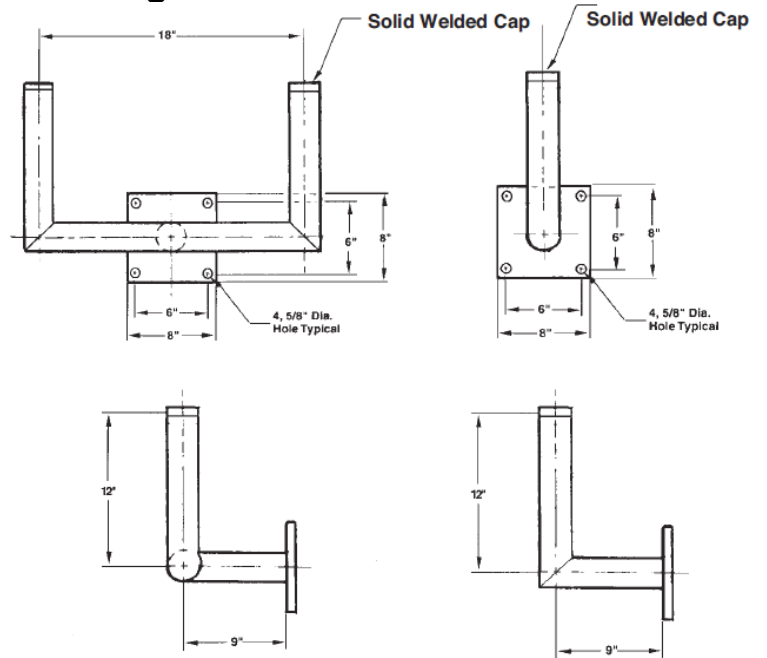
- 54" Tall – VEC-PS-54-3-MR
- 60" Tall – VEC-PS-60-3-MR

# VEC Fabrication Instrument Stand Catalog

## Quadruple Multi-Rack Pipe Stand



## Single/Double Wall Mount Stand



### Specifications

- Standard pipe size is 2" sch.40
- Base plate comes in a variety of thicknesses and sizes (see base plate detail sheet for specifications).
- Standard weight for 60" stand is 75.5 lbs.

Material: Carbon steel is standard, aluminum and stainless materials are available upon request.

Coating: Hot dipped galvanizing is our standard coating.

### Part #

- 54" Tall – VEC-PS-54-4-MR
- 60" Tall – VEC-PS-60-4-MR

### Specifications

- Standard pipe size is 2" sch.40
- Base plate comes in a variety of thicknesses and sizes (see base plate detail sheet for specifications).
- Standard weight for single stand is 8.5 lbs.
- Standard weight for double stand is 15 lbs.

Material: Carbon steel is standard, aluminum and stainless materials are available upon request.

Coating: Hot dipped galvanizing is our standard coating.

### Part #

- Single – VEC-WM-1
- Double – VEC-WM-2